

Rasco Industries, Inc.
 5310 Shoreline Drive
 Mound, MN 55364
 United States
Phone: 800-537-3802
 Fax: 952-283-1261
 Sales@Rascoind.com



RASCO
INDUSTRIES, INC.
 BUGBLOCKER.COM

P.O. NO: _____

DATE REQUIRED: _____

TAG: _____

SPECIAL INSTRUCTIONS: _____

QUANTITY: _____

PREPARED BY: _____

EMAIL: _____

COMPANY: _____

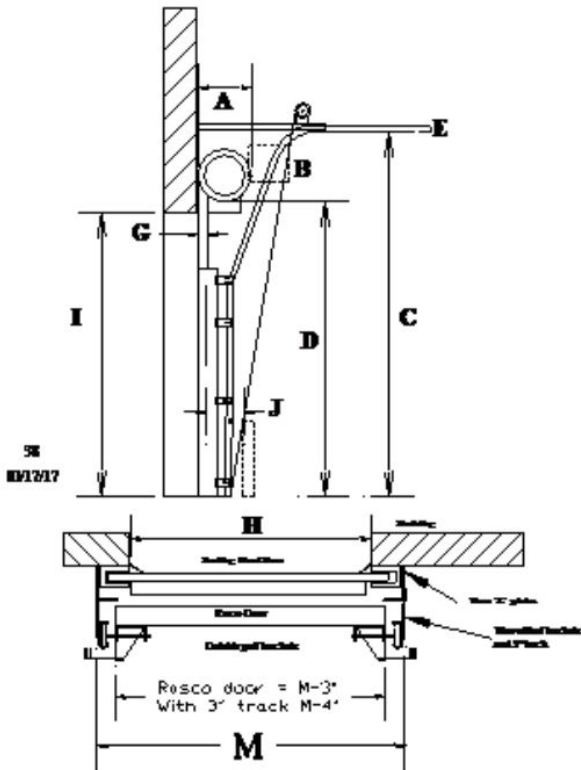
ADDRESS: _____

PHONE: _____

FAX: _____

SHIP TO ZIP: _____

**Chain Link Security Door - High Lift / Behind Rolling
 Shorter than Opening**



- A) Distance to back of roll _____ in
- B) Any interference from motor operator? y n
- C) Floor to new horizontal track _____ ft _____ in
- D) Distance from floor to bottom of roll _____ ft _____ in
- E) Rasco door Track Width 2" 3"
- F) Rasco Door Height _____ ft _____ in
 (at least 2' less than Opening Height)
- G) Depth of existing guide _____ in
- H) Opening Width _____ ft _____ in
- I) Opening Height _____ ft _____ in
- J) Distance from bollards to existing guide _____ in
- K) Will Rasco door be motorized? y n
- L) If yes, is Rasco providing the operator? y n
- M) Guide Outside-to-Outside Distance _____ ft _____ in
 (NOT the opening size)