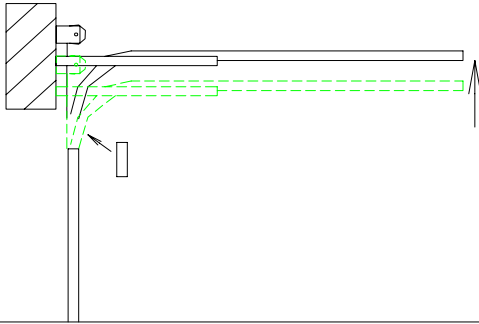
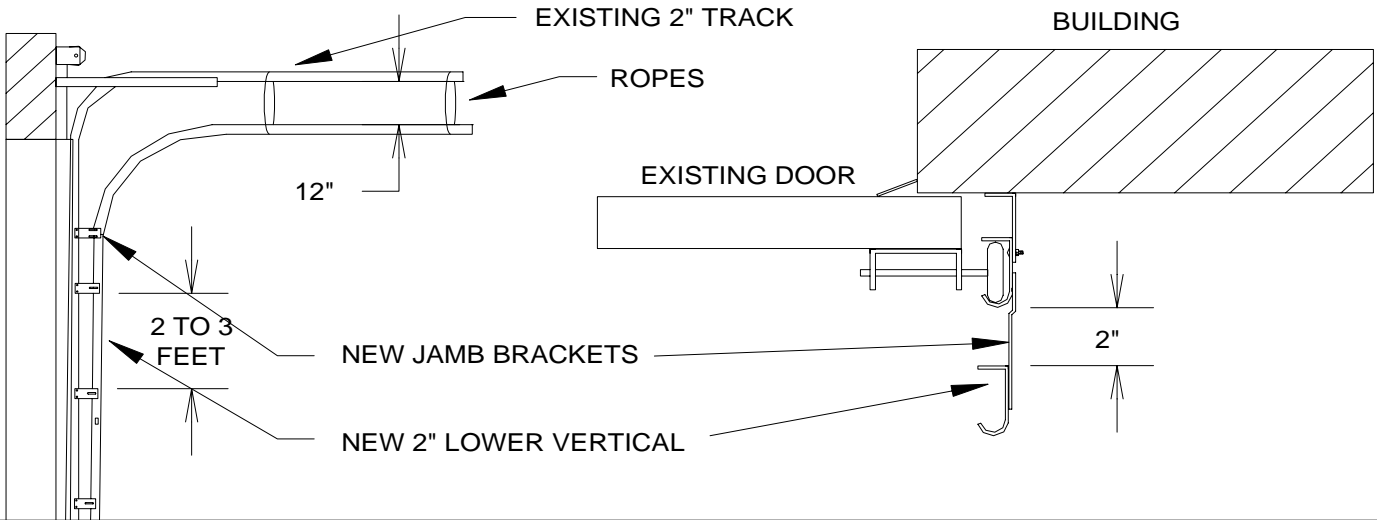


SECURITY GATE BEHIND 2" TRACK NORMAL LIFT

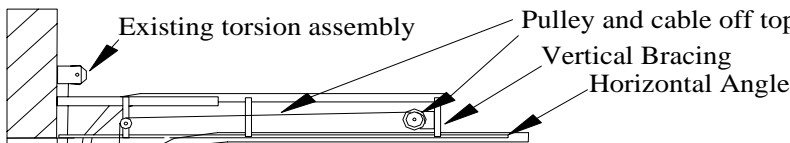
- 1) 1.1) Unwind the existing spring, move the horizontal track and spring assembly up 12" above where the Security Gate track will go, add splice and reinstall. If Gate tracks are above opening this may not be necessary.



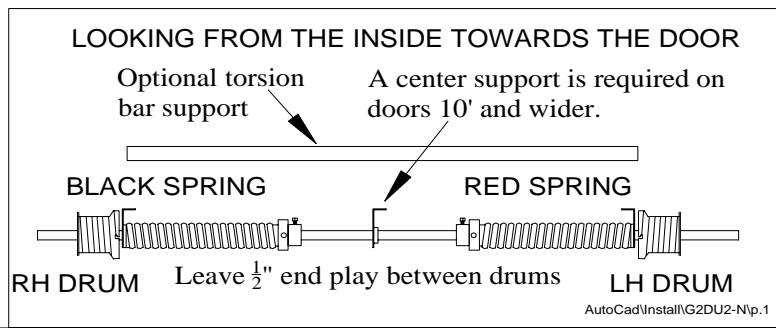
- 2) 2.1) Install jamb brackets with bolts or weld to the existing track. Space the jamb brackets evenly. The top jamb bracket will have 2 slots and must be mounted so that it will be $\frac{1}{2}$ way above the top end of the new vertical.
 2.2) Hang horizontal track with 32" radius at least 12" below existing track with ropes.
 2.3) If needed cut new vertical track so gate track with 32" radius will be at least 12" below existing track.
 2.4) Install new 2" lower vertical to jamb brackets. Space 2 inches from existing track.



- 3) Existing torsion assembly Pulley and cable off top of drum used with rear mounted torsion bar.



- 3.1) Install angle along horizontal track from wall.
 3.2) Install vertical bracing as needed to support track.
 3.3) Install torsion bar mounting brackets to new angle **FLAT SIDE OUT**.
 3.4) Install rear mount torsion assembly per drawing.
 3.5) Install pulley to raise door all the way.



- 4) 4.1) Re-using the 2 PK's mount left hinge (numbers down) with roller on the top of the bottom section left side only. Re-using the 3 PK's mount left bottom bracket with roller and cable on the bottom section left side only.

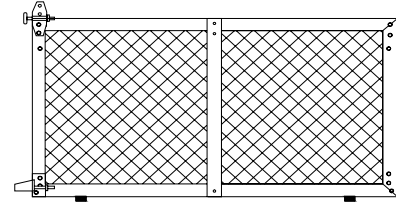
4.2) Install section into track.

4.3) Re-using the 2 PK's mount right hinge (numbers down) with roller on the bottom section right side. Re-using the 3 PK's mount right bottom bracket with roller and cable on the bottom section right side. Using 2 PK's mount center hinge (numbers down).

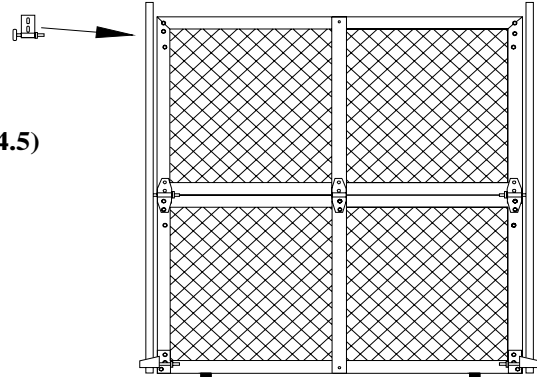
4.4) If only 2 sections go to 5.5, otherwise, re-using the 2 PK's mount left hinge (numbers down) with roller on the top of the next section. Lift up onto previous section. Hold it steady while the 6 hinges are fully installed.

4.5) Re-using the 2 PK's mount left top bracket with roller on the top of the top section. Hold it steady while the 3 hinges are fully installed. Re-using the 2 PK's mount right top bracket with roller on the top of the top section.

4.1)



4.5)



- 5) 5.1) Measure the distance from the torsion shaft to the floor and calculate the cable length as follows:
(For a rear mounted torsion the distance is measured from the floor around the pulley to the torsion bar.)

STANDARD LIFT DRUMS:

OMI 12 (4- $\frac{3}{4}$ " Dia.) Floor to pulley to shaft plus 8".
OMI 18 (6" Dia.) Floor to pulley to shaft plus 10".

- 5.2) Carefully measure the cables and flatten stops into position.
5.3) Cut off excess cable.
5.4) Install cables and wind springs as specified on the front cover.
5.5) Install down lock and handle with PK's (self-drillers).
5.6) Install pull rope on bottom under right hand roller.
5.7) Tighten down all fasteners.
5.8) Install stop springs to stop gate.
5.9) Check that gate is level. Adjust drum positions on shaft if necessary.