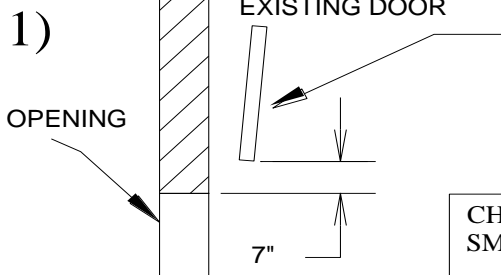


# SCREEN DOOR 2" SWITCH TRACK HIGH LIFT



**1.1)** Readjust existing door so that in the full up position the bottom will be a minimum of 7 inches above the top of the opening. Very tall or very thick doors may need even more clearance.

**1.2)** Readjust spring stop bumpers or travel on motor operated door. If necessary cut 7 inches off existing cable and add turns to the existing springs.

**CHECK AND REPAIR THE EXISTING DOOR AND TRACK FOR PROPER AND SMOOTH OPERATION. REPLACE EXISTING VERTICAL TRACK IF REQUIRED.**

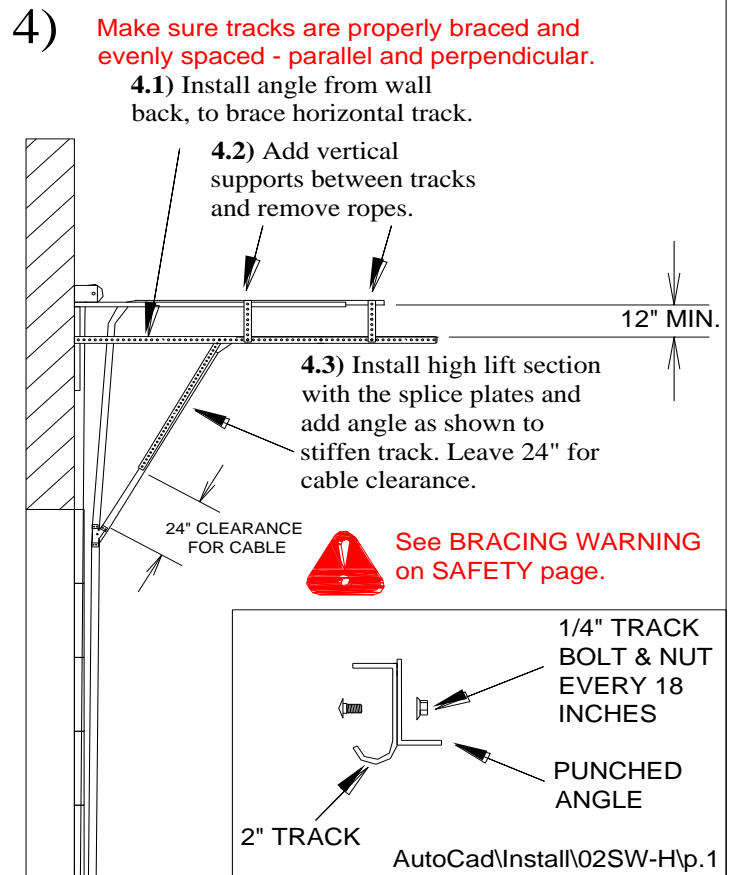
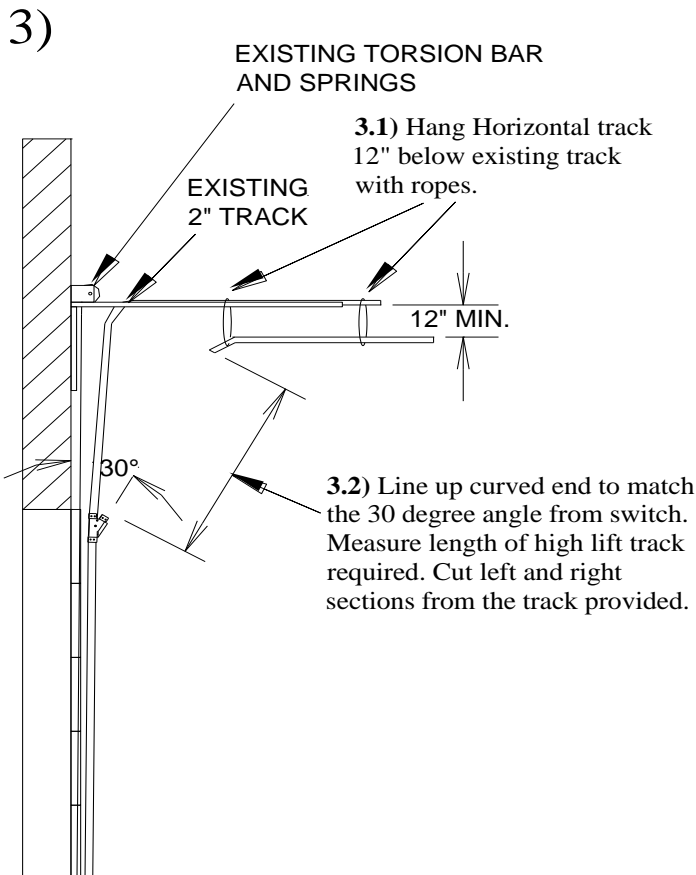
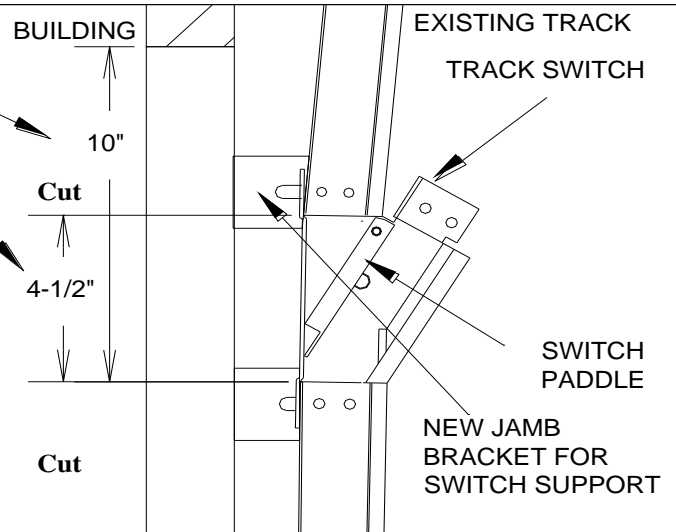
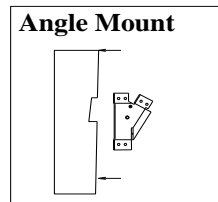
- 2)** **2.1)** Measure down 10" from top of opening and cut track.  
**2.2)** Measure up 4-1/2" and cut track off.

**2.3) Jamb bracket mounted** - Reuse or remove brackets in the way and install track switch with 1/4" track bolts. Install 2 new jamb brackets to wall and switch using flange nuts.

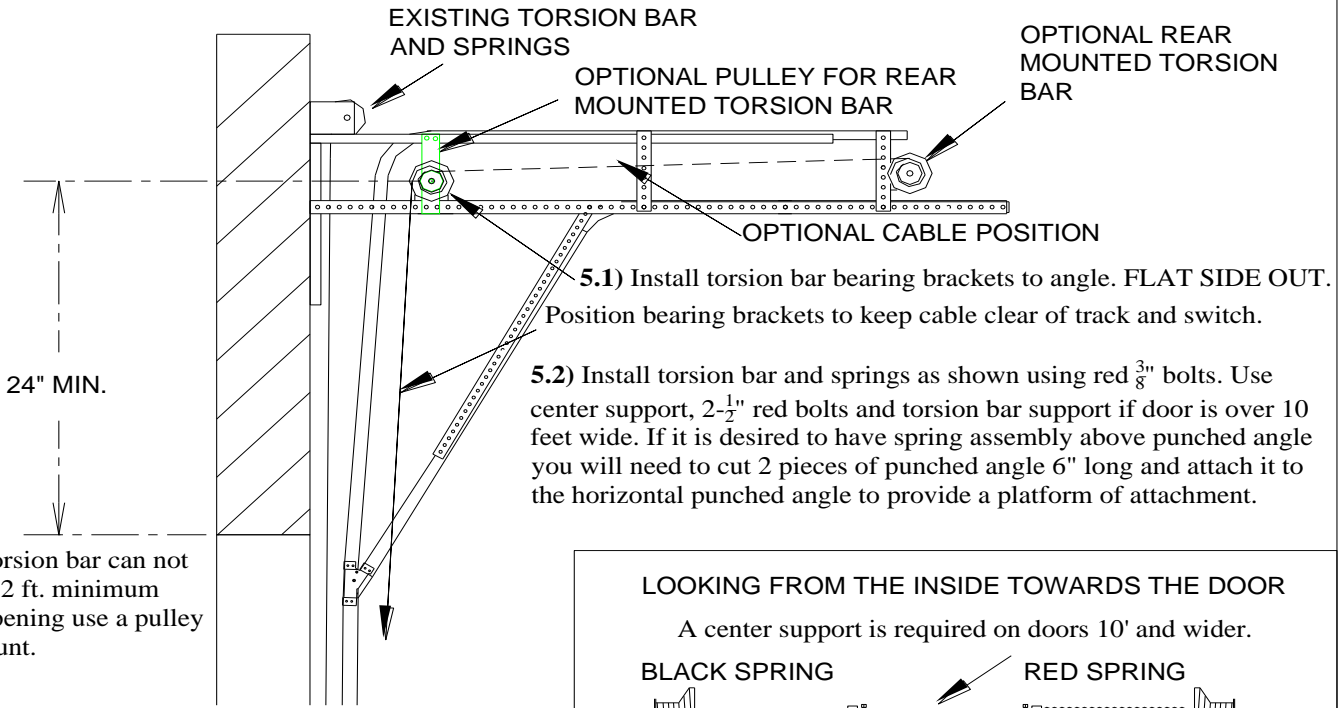
**2.4) Angle mounted** - Notch out angle for switch. Install track switch with 1/4" track bolts and nylon stop lock nuts provided.

**2.5)** Check paddle for crisp action.

**2.6)** To promote smooth roller action through the switch some bending of the track ends may be needed so that curved part of track matches up with switch paddle.

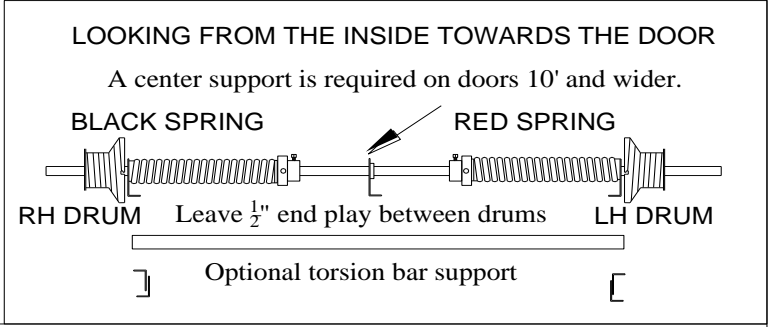


5)



- 5.1) Install torsion bar bearing brackets to angle. FLAT SIDE OUT. Position bearing brackets to keep cable clear of track and switch.
- 5.2) Install torsion bar and springs as shown using red  $\frac{3}{8}$ " bolts. Use center support, 2- $\frac{1}{2}$ " red bolts and torsion bar support if door is over 10 feet wide. If it is desired to have spring assembly above punched angle you will need to cut 2 pieces of punched angle 6" long and attach it to the horizontal punched angle to provide a platform of attachment.

5.3) Install drums on shaft as shown. Leave  $\frac{1}{4}$ " end play to prevent binding. New cable will go behind drum.



6) 6.1) Install on the bottom section the right bottom bracket with 6 red self-drillers and 2 flange nuts. Install #1 center hinges and a #1 hinge on the right end FINGER TIGHT. (INSTALL THE HINGES WITH THE NUMBERS DOWN)



See **BOTTOM BRACKET INSTALLATION** on **SAFETY** page

6.2) Install bottom section in the track and add the other bottom bracket and #1 hinge on the left end. (Use long stem rollers on bottom corners.)

6.3) Identify the top of an intermediate section. The top has only one finger and the bottom has 2 fingers.

6.4) Install intermediate section using #2 hinges on top ends and #1 hinges in center positions.

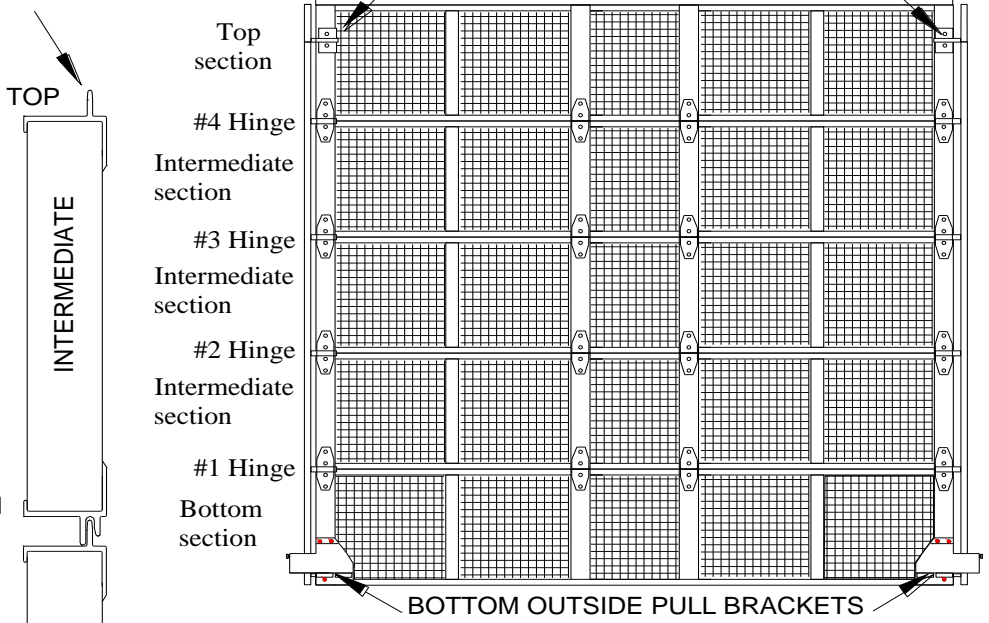
6.5) Install all hinges finger tight until all sections are in place and checked for proper engagement.

6.6) Install the rest of the sections using the next higher number hinge on each section.

6.7) Attach the top roller carriers so that rollers are at **TRACK SPLICE**. (At least 8" from top of door)

**TOP CARRIERS AT BOTTOM OF TRACK SWITCH**

All centers are #1 hinges.



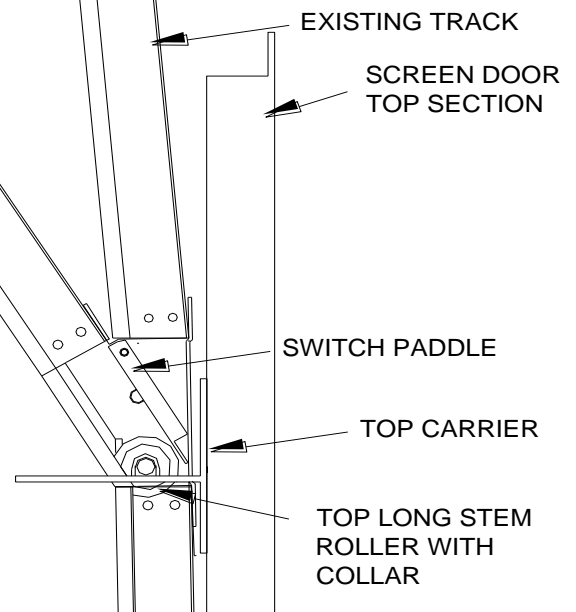
NOTE: IF THE EXISTING DOOR IS 3" THICK THE END HINGES ON THE BOTTOM START WITH #5

- 7) 7.1) Install the top carrier with  $\frac{1}{4}$ -20 self-drillers. Use the long stem rollers with collars to ensure both sides are evenly spaced.
- 7.2) Position the top carrier so that the roller is at the bottom of the switch paddle.
- 7.3) Adjust the slide on the top bracket to close the top section of the opening.



See **TOP CARRIERS WARNING** on **SAFETY** page

**FAILURE TO FOLLOW THESE STEPS CAN RESULT IN ROLLERS COMING OUT BECAUSE OF BACK BREAKING THE DOOR.**

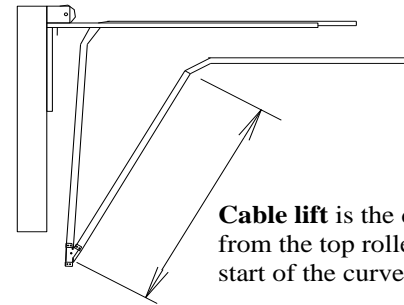


- 8) 8.1) Measure the distance from the torsion shaft to the floor and calculate the cable length as follows:  
(For a rear mounted torsion the distance is measured from the floor around the pulley to the torsion bar.)

**DRUMS:**

- OMI 54 HL-LD (5- $\frac{7}{8}$ " Dia.) Floor to shaft plus 63" minus cable lift.
- OMI 54 HL (7- $\frac{3}{16}$ " Dia.) Floor to shaft plus 66" minus cable lift.
- OMI 120 HL (9- $\frac{3}{16}$ " Dia.) Floor to shaft plus 134" minus cable lift.
- OMI 164 HL (11" Dia.) Floor to shaft plus 181" minus cable lift.

- 8.2) Carefully measure the cables and flatten stops into position.
- 8.3) Cut off excess cable.



**Cable lift** is the distance from the top roller to the start of the curve.

- 9) 9.1) Install down lock and handle with self-drillers. Lock door.

See **SPRINGS WARNING** on **SAFETY** page.



9.2) Install cables behind drums and wind springs as specified on the front cover. Tension one spring with 2 winds, then go to other and wind fully. Stretch the spring out the width of 2 coils then tighten set screws. Go back to the first spring, wind fully and stretch then tighten set screws. ( Add or subtract turns as necessary to give positive door operation.)

9.3) Install stop springs to stop door above top of opening.

See **BUMPER SPRINGS WARNING** on **SAFETY** page.



9.4) Move pull rope on existing door in toward center 4 to 6 inches. (This keeps it from being trapped in the track switch.)

9.5) Install pull rope on the screen door.

9.6) Check that the door sits level with no interference while moving up.  
( Readjust drum position if necessary to level door.)

9.7) Check that the door does not rub on the door frame in the down position.  
( Readjust track as necessary to provide clearance.)

**9.8) RE-CHECK ALL HINGE BOLTS AND FASTENERS FOR TIGHTNESS.**