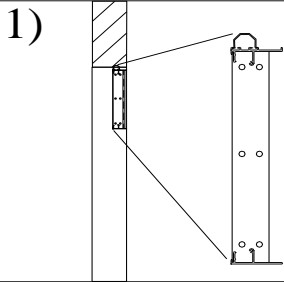


SCREEN DOOR 2" SWITCH TRACK STANDARD LIFT WITH FIXED PANEL



1.1) Using the 2" x 2" angles mount the fixed panel with the rubber on top and the flat rail on the bottom. The two rails should be flush with opening.

2.1) Measure down 7" from bottom of panel and cut track.

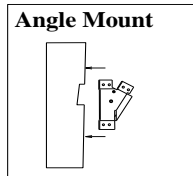
2.2) Measure up 4-1/2" and cut track off.

2.3) Jamb bracket mounted - Remove brackets in the way and install track switch with 1/4" track bolts. Install 2 new jamb brackets to wall and switch using flange nuts.

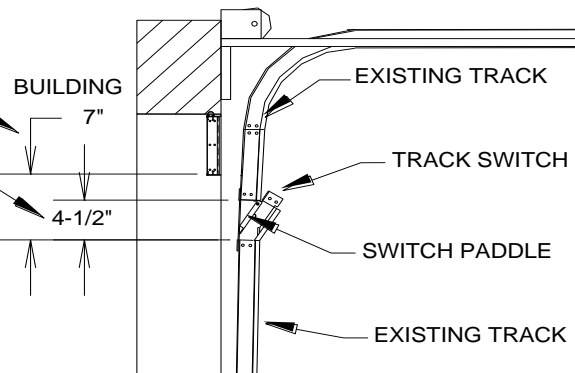
2.4) Angle mounted - Notch out angle for switch. Install track switch with 1/4" track bolts and nylon stop lock nuts provided.

2.5) Check the switch paddle for crisp snap action. Move upper track as necessary to provide necessary clearance.

2.6) To promote smooth roller action through the switch some bending of the track ends may be needed so that curved part of track matches up with switch paddle.



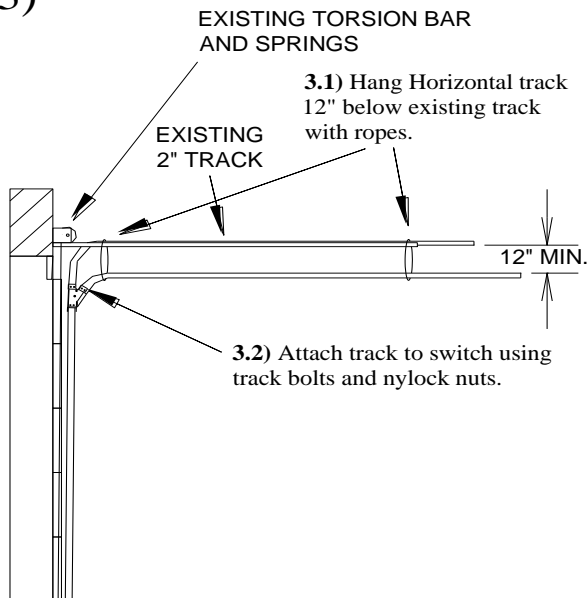
2)



CHECK AND REPAIR THE EXISTING DOOR AND TRACK FOR PROPER AND SMOOTH OPERATION.

REPLACE EXISTING VERTICAL TRACK IF REQUIRED.

3)

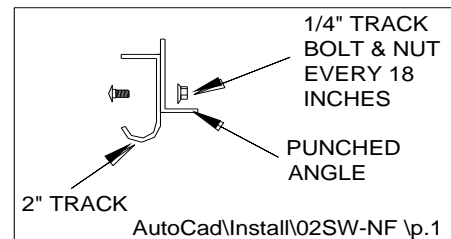


4)

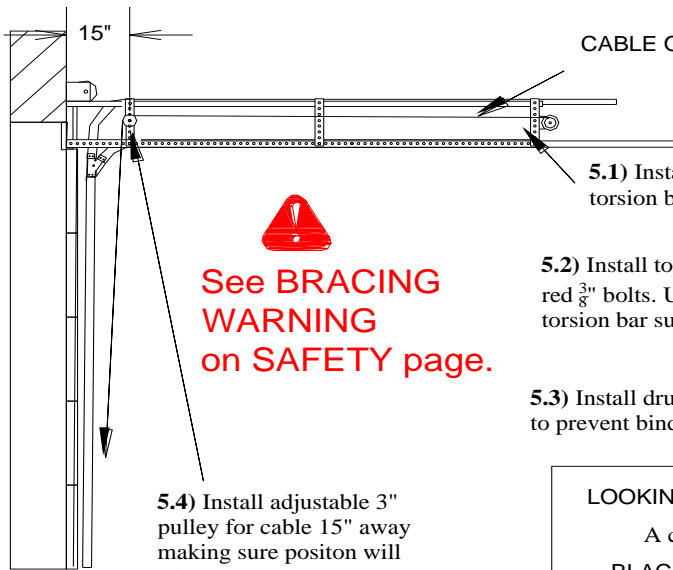
4.1) Install angle from wall back, to brace horizontal track.

4.2) Install vertical supports between tracks and remove ropes. Horizontal bracing between the new tracks may be needed if less than 10' wide.

Make sure tracks are properly braced and evenly spaced - parallel and perpendicular.



5)



See BRACING WARNING on SAFETY page.

5.4) Install adjustable 3" pulley for cable 15" away making sure position will lift door up enough and cable will clear track switch.

CABLE OFF TOP OF DRUM

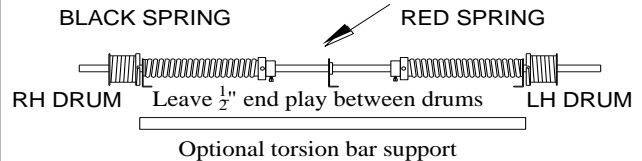
5.1) Install torsion bar bearing brackets for rear mount torsion bar assembly - FLAT SIDE OUT.

5.2) Install torsion bar and springs as shown using red $\frac{3}{8}$ " bolts. Use center support, 2- $\frac{1}{2}$ " red bolts and torsion bar support if door is over 10 feet wide.

5.3) Install drums on shaft as shown. Leave $\frac{1}{4}$ " end play to prevent binding. New cable off top of drum.

LOOKING UP FROM THE INSIDE TOWARDS THE DOOR

A center support is required on doors 10' and wider.



6)

6.1) Install on the bottom section the right bottom bracket with 6 red self-drillers and 2 flange nuts. Install #1 center hinges and a #1 hinge on the right end FINGER TIGHT. (INSTALL THE HINGES WITH THE NUMBERS DOWN)



See **BOTTOM BRACKET INSTALLATION** on SAFETY page

6.2) Install bottom section in the track and add the other bottom bracket and #1 hinge on the left end. (Use long stem rollers on bottom corners.)

TOP CARRIERS AT BOTTOM OF TRACK SWITCH

6.3) Identify the top of an intermediate section. The top has only one finger and the bottom has 2 fingers.

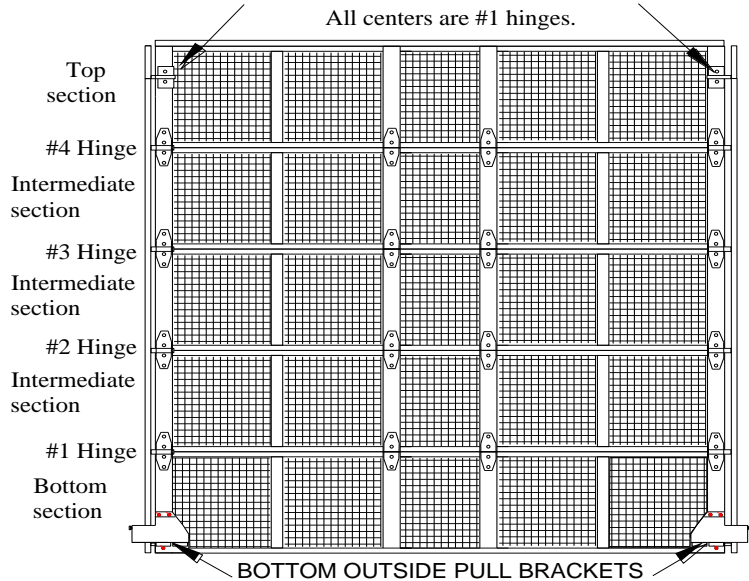
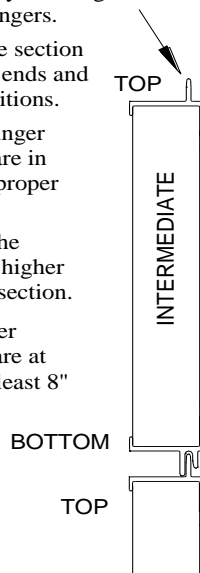
6.4) Install intermediate section using #2 hinges on top ends and #1 hinges in center positions.

6.5) Install all hinges finger tight until all sections are in place and checked for proper engagement.

6.6) Install the rest of the sections using the next higher number hinge on each section.

6.7) Attach the top roller carriers so that rollers are at TRACK SPLICE. (At least 8" from top of door)

NOTE: IF THE EXISTING DOOR IS 3" THICK THE END HINGES ON THE BOTTOM START WITH #5

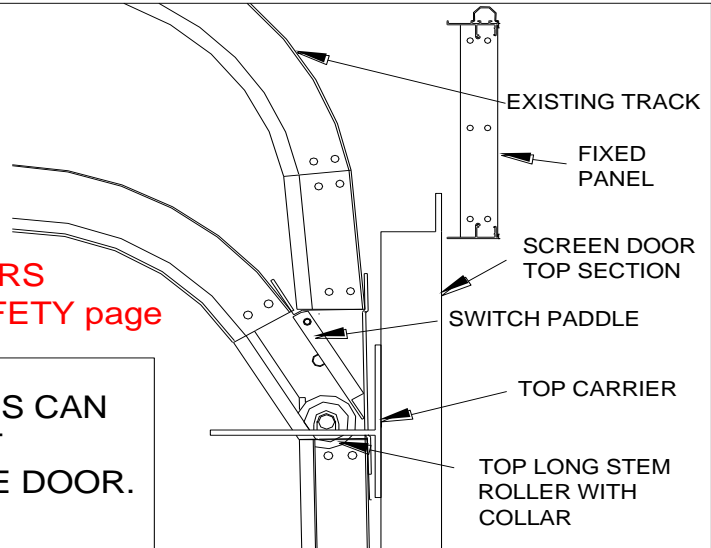


- 7) 7.1) Install the top carrier with $\frac{1}{4}$ "-20 self-drillers. Use the long stem rollers with collars to ensure both sides are evenly spaced.
- 7.2) Position the top carrier so that the roller is at the bottom of the switch paddle.
- 7.3) Adjust the slide on the top bracket to close the top section of the opening.



See **TOP CARRIERS WARNING** on **SAFETY** page

FAILURE TO FOLLOW THESE STEPS CAN RESULT IN ROLLERS COMING OUT BECAUSE OF BACK BREAKING THE DOOR.



- 8) 8.1) Measure the distance from the torsion shaft to the pulley to the floor and calculate the cable length as follows:

DRUMS:

OMI 12 (4- $\frac{3}{4}$ " Dia.) Floor to pulley to shaft + 8".

OMI 18 (6" Dia.) Floor to pulley to shaft + 10".

8.2) Carefully measure the cables and flatten stops into position.

8.3) Cut off excess cable.

- 9) 9.1) Install down lock and handle with self-drillers.

See **SPRINGS WARNING** on **SAFETY** page.



9.2) Install cables behind drums and wind springs as specified on the front cover. Tension one spring with 2 winds, then go to other and wind fully. Stretch the spring out the width of 2 coils then tighten set screws. Go back to the first spring, wind fully and stretch then tighten set screws. (Add or subtract turns as necessary to give positive door operation.)

9.3) Install stop springs to stop door above top of opening.

See **BUMPER SPRINGS WARNING** on **SAFETY** page.



9.4) Move pull rope on existing door in toward center 4 to 6 inches. (This keeps it from being trapped in the track switch.)

9.5) Install pull rope on the screen door.

9.6) Check that the door sits level with no interference while moving up.
(Readjust drum position if necessary to level door.)

9.7) Check that the door does not rub on the door frame in the down position.
(Readjust track as necessary to provide clearance.)

9.8) **RE-CHECK ALL HINGE BOLTS AND FASTENERS FOR TIGHTNESS.**