

Survey Form

Rasco Industries, Inc.
 50 Medina Street South
 Loretto MN, 55357-9548
 Phone: 800-537-3802,
 763-479-1144
 Fax: 800-537-3602,
 763-479-1147
www.bugblocker.com

Company: _____ P.O. Number: _____

Phone: _____ Fax: _____

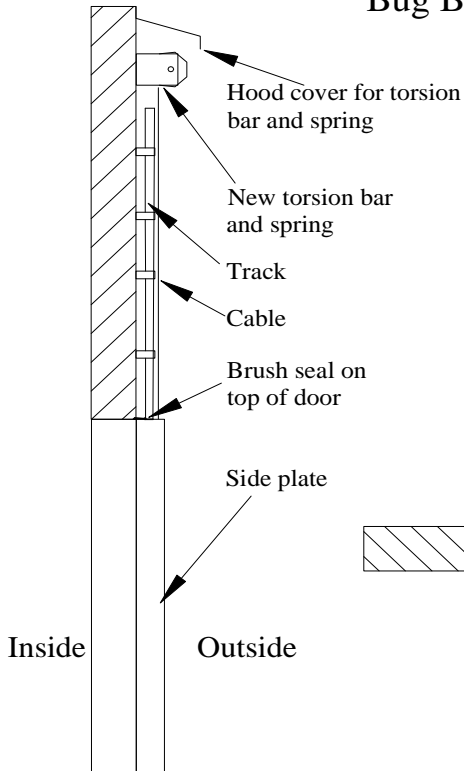
Address: _____ City: _____

St: _____ Zip: _____ Quantity: _____ Date Required: _____

Prepared By: _____ Email: _____

Special Instructions/ Tag: _____

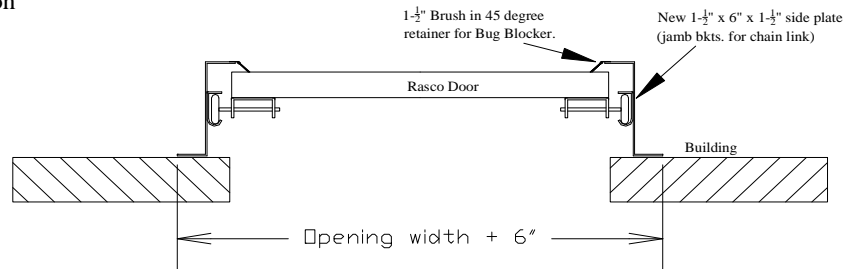
**Bug Blocker® Screen or Chain-Link Security Door -
 Vertical Lift / Exterior Mount**



1) Opening width _____ ft _____ in,
 height _____ ft _____ in

2) Is there clearance above for door? Yes ___ No ___
 (Opening height + door height + 2 feet)

3) Is there side to side clearance? Yes ___ No ___
 (Opening width + 6 inches)



4) List any interference on outside of building?

5) Mesh size?
 12 mesh stainless ___ 30 mesh stainless ___

Chain link 11 gauge ___ Expanded metal stainless ___

6) Is the door to be motor operated? Yes ___ No ___

7) If the door is to be motor operated
 should we send a cover for motor? Yes ___ No ___

8) Is a hood cover needed? Yes ___ No ___

Notes: A solid shaft is required on all doors 12' or wider or motorized.