

Survey Form

**Rasco Industries, Inc.**  
 50 Medina Street South  
 Loretto MN, 55357-9548  
 Phone: 800-537-3802,  
 763-479-1144  
 Fax: 800-537-3602,  
 763-479-1147  
**www.bugblocker.com**

Company: \_\_\_\_\_ P.O. Number: \_\_\_\_\_

Phone: \_\_\_\_\_ Fax: \_\_\_\_\_

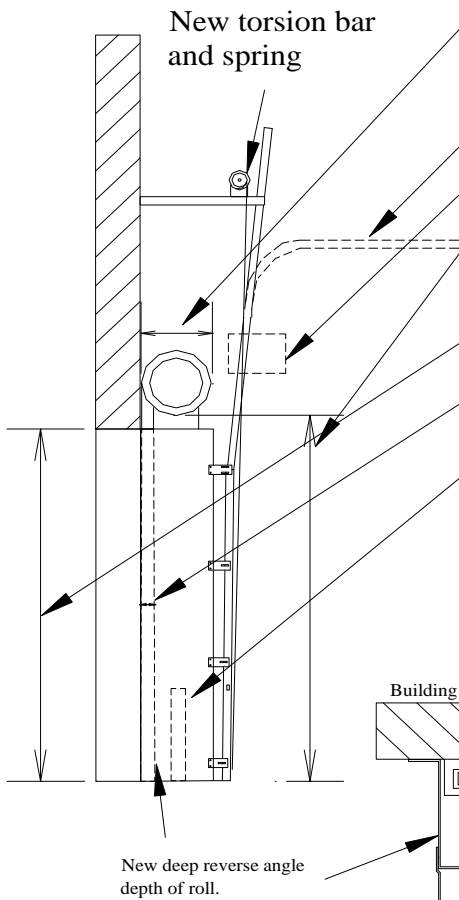
Address: \_\_\_\_\_ City: \_\_\_\_\_

St: \_\_\_\_\_ Zip: \_\_\_\_\_ Quantity: \_\_\_\_\_ Date Required: \_\_\_\_\_

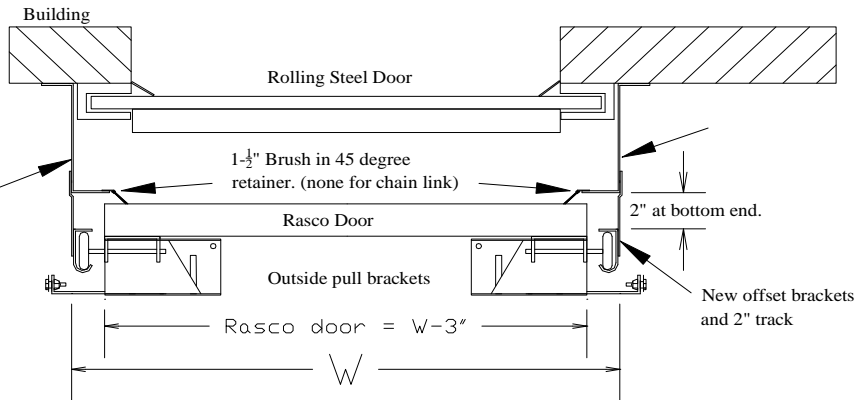
Prepared By: \_\_\_\_\_ Email: \_\_\_\_\_

Special Instructions/ Tag: \_\_\_\_\_

**Bug Blocker® Screen or Chain-Link Security Door - Behind Rolling with Deep Reverse**



- 1) Distance to back of roll? \_\_\_\_\_ in
- 2) Can the Rasco door be lifted vertically? Yes \_\_\_ No \_\_\_
- 3) If high lift must be used, distance from floor to new horizontal track? \_\_\_\_\_ ft \_\_\_\_\_ in
- 4) Interference from motor operator? Yes \_\_\_ No \_\_\_
- 5) Distance from floor to bottom of roll? \_\_\_\_\_ ft \_\_\_\_\_ in
- 6) Opening width \_\_\_\_\_ ft \_\_\_\_\_ in,  
 height \_\_\_\_\_ ft \_\_\_\_\_ in
- 7) Depth of track? \_\_\_\_\_ in
- 8) Bollards to be removed? Yes \_\_\_ No \_\_\_
- 9) Is the Rasco door to be motorized? Yes \_\_\_ No \_\_\_
- 10) Mesh size?  
 12 mesh stainless \_\_\_ 30 mesh stainless \_\_\_  
 Chain link 11 gauge \_\_\_ Expanded metal stainless \_\_\_



- 11) Width outside to outside of track? \_\_\_\_\_ ft \_\_\_\_\_ in  
 (This is **NOT** the opening size)

Notes: A torsion bar support is required on all doors 10' or wider and a solid shaft if 12' or wider. The Rasco door has outside pull brackets / cables.