

Survey Form

Rasco Industries, Inc.
 50 Medina Street South
 Loretto MN, 55357-9548
 Phone: 800-537-3802,
 763-479-1144
 Fax: 800-537-3602,
 763-479-1147
 www.bugblocker.com

Company: _____ P.O. Number: _____

Phone: _____ Fax: _____

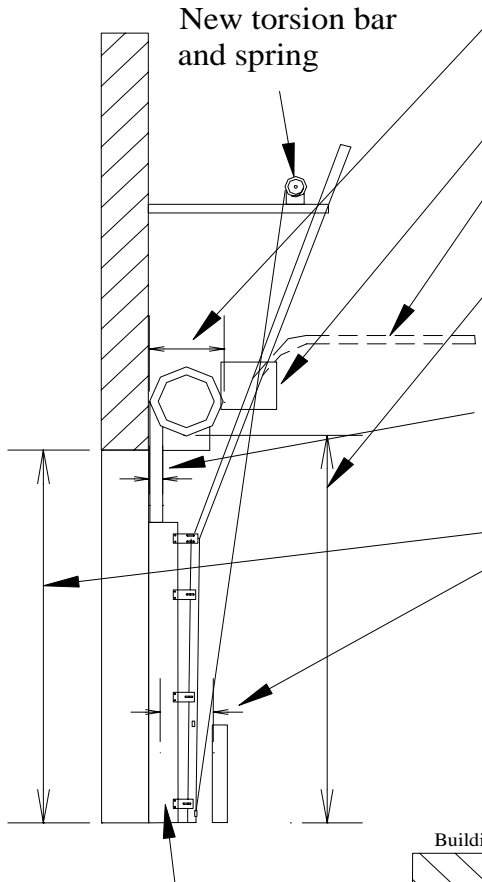
Address: _____ City: _____

St: _____ Zip: _____ Quantity: _____ Date Required: _____

Prepared By: _____ Tag: _____

Special Instructions: _____

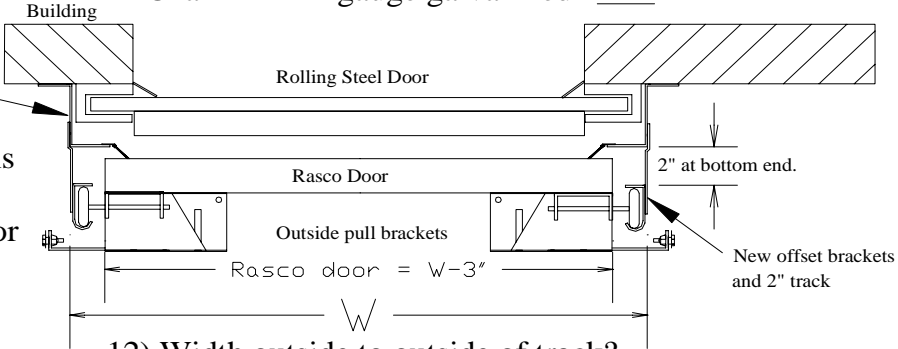
Bug Blocker Screen or Chain-Link Security Door - Behind Rolling Shorter Than Opening



- 1) Distance to back of roll? _____ in
- 2) Can Rasco door be lifted vertically? Yes ___ No ___
- 3) Interference from motor operator? Yes ___ No ___
- 4) If high lift must be used, distance from floor to new horizontal track? _____ ft _____ in
- 5) Distance from floor to bottom of roll? _____ ft _____ in
- 6) Rasco door height required. (At least 2 feet less than opening height) _____ ft _____ in _____
- 7) Depth of existing track? _____ in
- 8) Opening width _____ ft _____ in,
 height _____ ft _____ in
- 9) Distance from bollards to existing track? _____ in
- 10) Is the Rasco door to be motorized? Yes ___ No ___
- 11) Mesh size?
 12 mesh stainless _____ 30 mesh stainless _____

Chain link 11 gauge galvanized _____

Notes: A torsion bar support is required on all doors 10' or wider and a solid shaft if 12' or wider. The Rasco door has outside pull brackets / cables.



- 12) Width outside to outside of track? _____ ft _____ in
 (This is **NOT** the opening size)