

# Survey Form

Rasco Industries, Inc.  
 50 Medina Street South  
 Loretto MN, 55357-9548  
 Phone: 800-537-3802,  
 763-479-1144  
 Fax: 800-537-3602,  
 763-479-1147  
 www.bugblocker.com

Company: \_\_\_\_\_ P.O. Number: \_\_\_\_\_

Phone: \_\_\_\_\_ Fax: \_\_\_\_\_

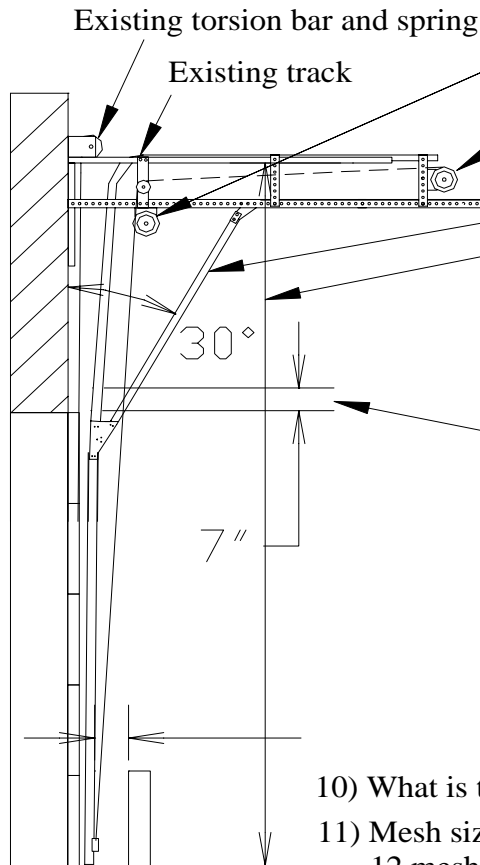
Address: \_\_\_\_\_ City: \_\_\_\_\_

St: \_\_\_\_\_ Zip: \_\_\_\_\_ Quantity: \_\_\_\_\_ Date Required: \_\_\_\_\_

Prepared By: \_\_\_\_\_ Tag: \_\_\_\_\_

Special Instructions: \_\_\_\_\_

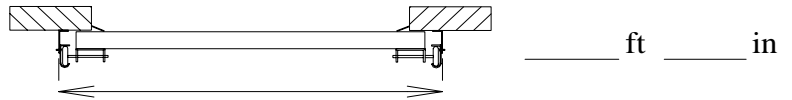
## Bug Blocker Screen or Chain-Link Security Door - High Lift / Switch Track



Rasco torsion bar and spring

If high lift is less than 2 feet then torsion bar and spring must be rear mounted.

- 1) Any interference for Rasco track? Yes \_\_\_ No \_\_\_
- 2) Floor to existing horizontal track? \_\_\_ ft \_\_\_ in
- 3) What is the existing door thickness? \_\_\_ in
- 4) What is the track width? 2 in \_\_\_ 3 in \_\_\_
- 5) Is the existing track in good condition? \_\_\_\_\_
- 6) In the open position, the existing door must stop a minimum of 7" above the opening. Can you do it? \_\_\_\_\_
- 7) Opening width \_\_\_ ft \_\_\_ in, height \_\_\_ ft \_\_\_ in
- 8) Existing door width \_\_\_ ft \_\_\_ in, height \_\_\_ ft \_\_\_ in
- 9) Distance from outside to outside of existing track? \_\_\_\_\_



- 10) What is the distance from existing track to bollard? \_\_\_\_\_ in
- 11) Mesh size?  
 12 mesh stainless \_\_\_\_\_ 30 mesh stainless \_\_\_\_\_  
 Chain link 11 gauge galvanized \_\_\_\_\_

Note: The Rasco door has outside pull brackets / cables.

- 12) If the existing door is motor operated, an interlock switch should be provided on the Rasco track. Yes \_\_\_ No \_\_\_
- 13) If the Rasco door is to be motor operated, an interlock switch and a solid shaft should be provided. Yes \_\_\_ No \_\_\_

Notes: A torsion bar support is required on all doors 10' or wider and a solid shaft if 12' or wider. Switch track cannot be used if existing door has outside pull cables or has TKO, Workhorse or Barcol type tracks.