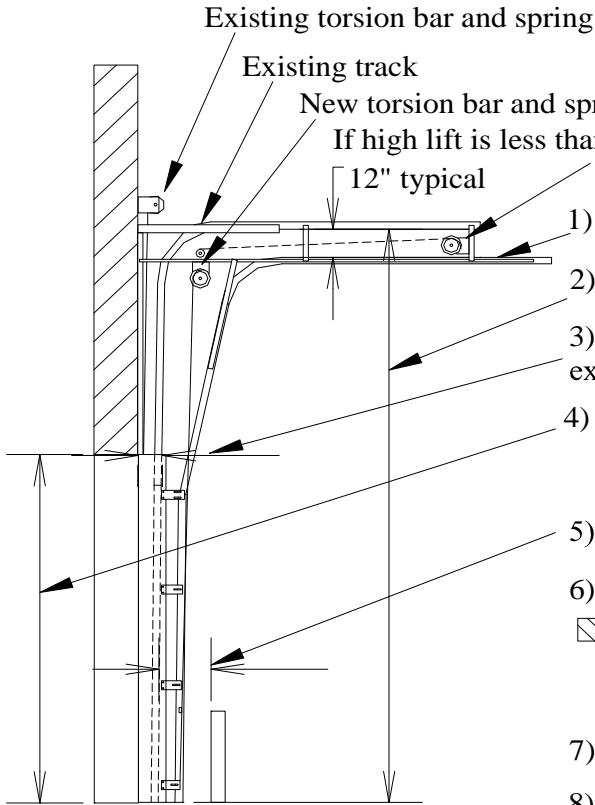


Survey Form

**Rasco Industries, Inc.**  
 50 Medina Street South  
 Loretto MN, 55357-9548  
 Phone: 800-537-3802,  
 763-479-1144  
 Fax: 800-537-3602,  
 763-479-1147  
**www.bugblocker.com**

Company: \_\_\_\_\_ P.O. Number: \_\_\_\_\_  
 Phone: \_\_\_\_\_ Fax: \_\_\_\_\_  
 Address: \_\_\_\_\_ City: \_\_\_\_\_  
 St: \_\_\_\_\_ Zip: \_\_\_\_\_ Quantity: \_\_\_\_\_ Date Required: \_\_\_\_\_  
 Prepared By: \_\_\_\_\_ Email: \_\_\_\_\_  
 Special Instructions/ Tag: \_\_\_\_\_

**Bug Blocker® Screen or Chain-Link Security Door - High Lift / Dual Track**



Note: The Rasco door has outside pull brackets / cables.

1) Any interference for Rasco track? Yes \_\_\_ No \_\_\_

2) Distance floor to existing track? \_\_\_ ft \_\_\_ in

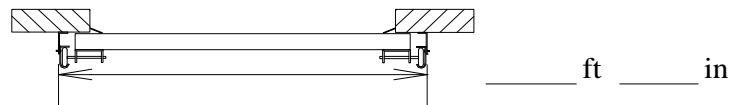
3) Distance from wall to furthest part of existing track at the top of the opening? \_\_\_ in

4) Opening width \_\_\_ ft \_\_\_ in,

height \_\_\_ ft \_\_\_ in

5) Distance from bollard to existing track? \_\_\_ in

6) Distance from outside to outside of existing track?



7) Existing door width \_\_\_ ft \_\_\_ in, height \_\_\_ ft \_\_\_ in

8) Is the existing lower track in good condition?

Yes \_\_\_ No \_\_\_ 2" track \_\_\_ 3" track \_\_\_

9) Is the Rasco door to be motor operated? Yes \_\_\_ No \_\_\_

10) Mesh size?

12 mesh stainless \_\_\_ 30 mesh stainless \_\_\_

Chain link 11 gauge \_\_\_ Expanded metal stainless \_\_\_

Notes: A torsion bar support is required on all doors 10' or wider and a solid shaft if 12' or wider. Dual track cannot be used if existing door has outside pull cables.

