

Survey Form

Rasco Industries, Inc.
 50 Medina Street South
 Loretto MN, 55357-9548
 Phone: 800-537-3802,
 763-479-1144
 Fax: 800-537-3602,
 763-479-1147
 www.bugblocker.com

Company: _____ P.O. Number: _____

Phone: _____ Fax: _____

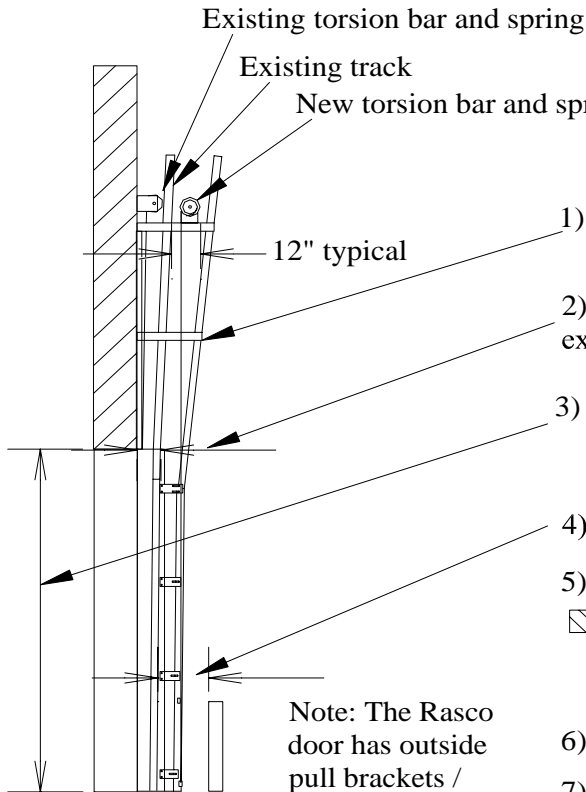
Address: _____ City: _____

St: _____ Zip: _____ Quantity: _____ Date Required: _____

Prepared By: _____ Tag: _____

Special Instructions: _____

Bug Blocker Screen or Chain-Link Security Door - Vertical Lift / Dual Track



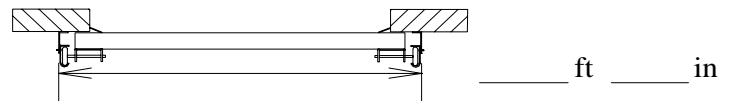
1) Any interference for Rasco track? Yes ___ No ___

2) Distance from wall to furthest part of existing track at the top of the opening? _____ in

3) Opening width _____ ft _____ in,
 height _____ ft _____ in

4) Distance from bollard to existing track? _____ in

5) Distance from outside to outside of existing track?



6) Existing door width _____ ft _____ in, height _____ ft _____ in

7) Does the existing lower track need replacing?
 No ___ 2" track ___ 3" track ___ height _____ in

8) Is the Rasco door to be motor operated? Yes ___ No ___

9) Mesh size?
 12 mesh stainless ___ 30 mesh stainless ___

Chain link 11 gauge galvanized _____

Notes: A torsion bar support is required on all doors 10' or wider and a solid shaft if 12' or wider. Dual track cannot be used if existing door has outside pull cables.

